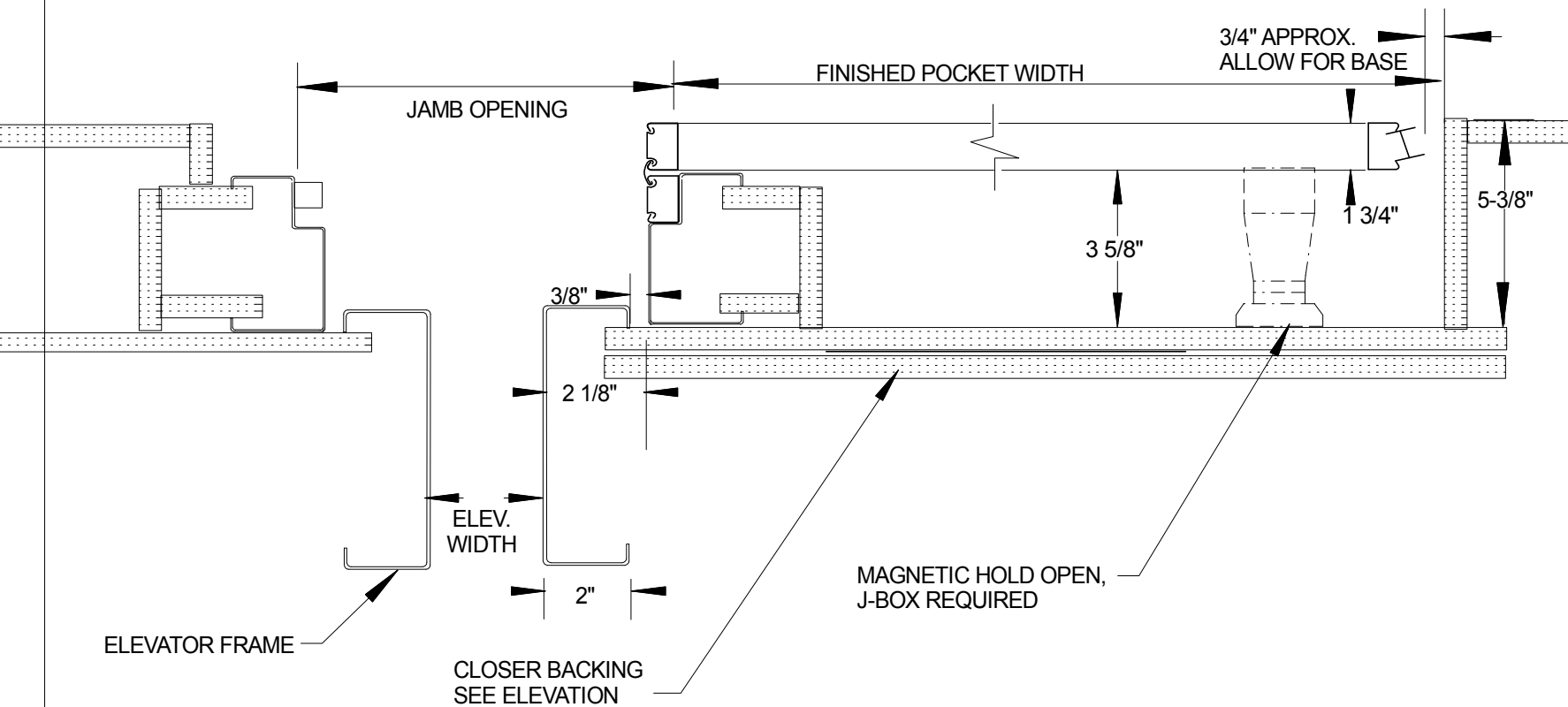
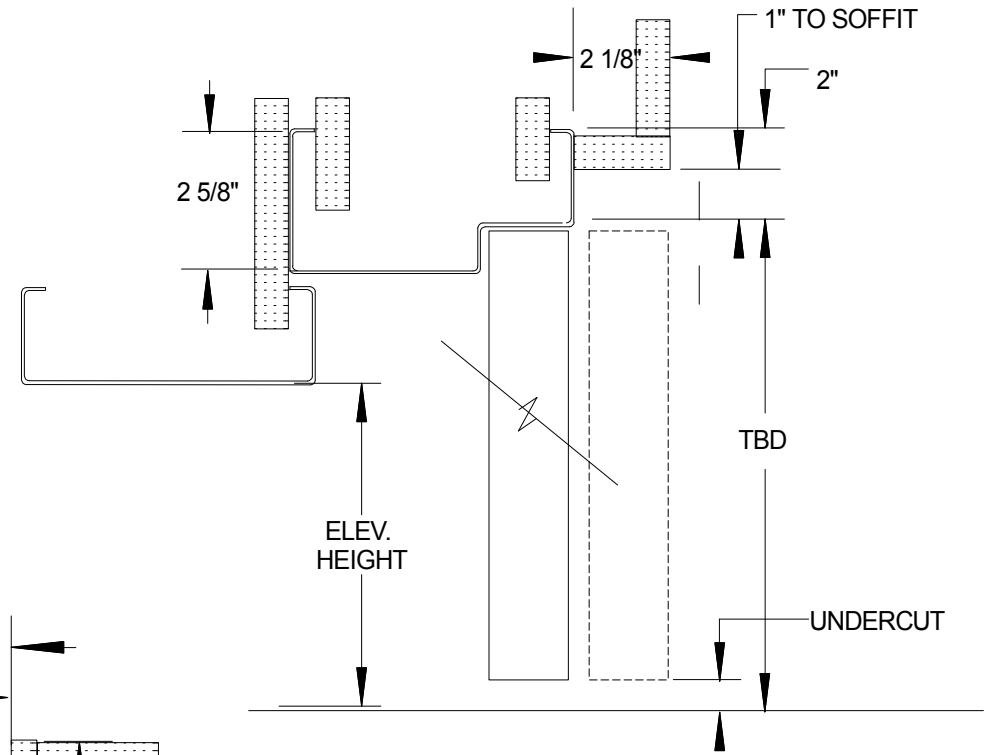
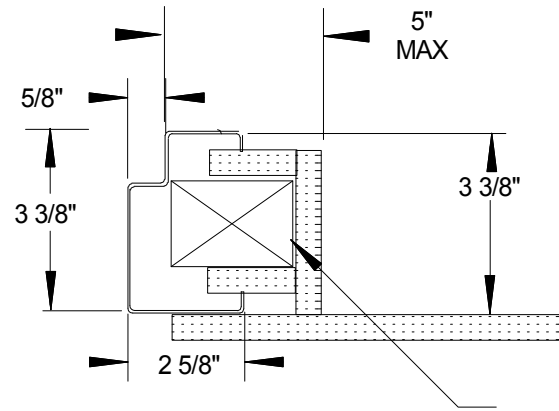


CONTACT INTEGRATED DOOR SYSTEMS FOR SPECIFIC DIMENSIONS



MAGNETIC HOLD OPEN, J-BOX REQUIRED

ELEVATOR FRAME

EL180RS2.CAD

INTEGRATED DOOR SYSTEMS

JOB:	
DRAWN BY: DC	REV:
SCALE: NONE	ORDER #:
DATE:	SHEET OF