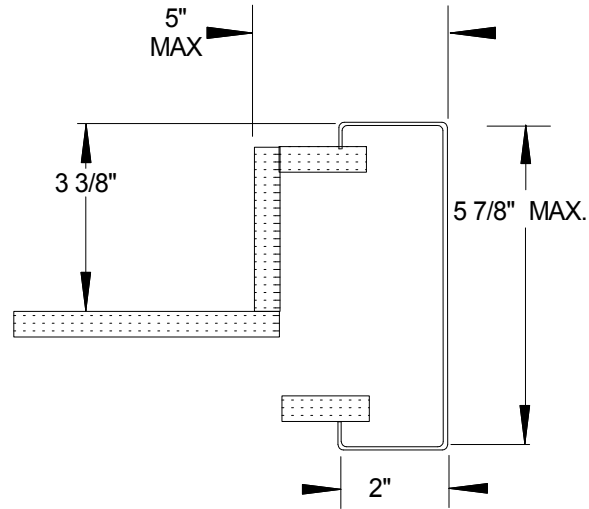
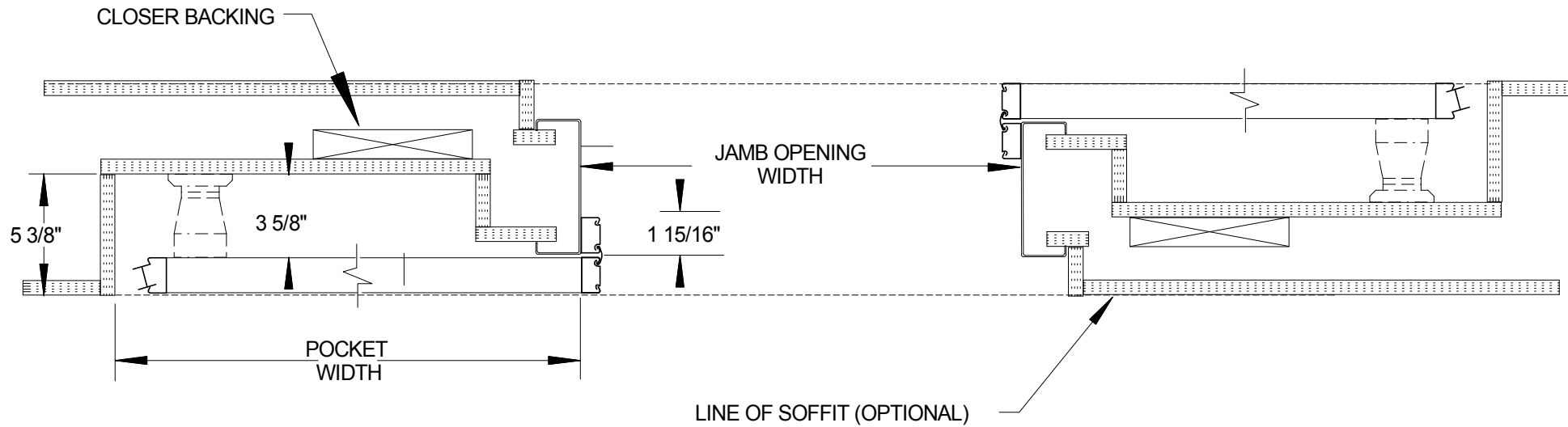
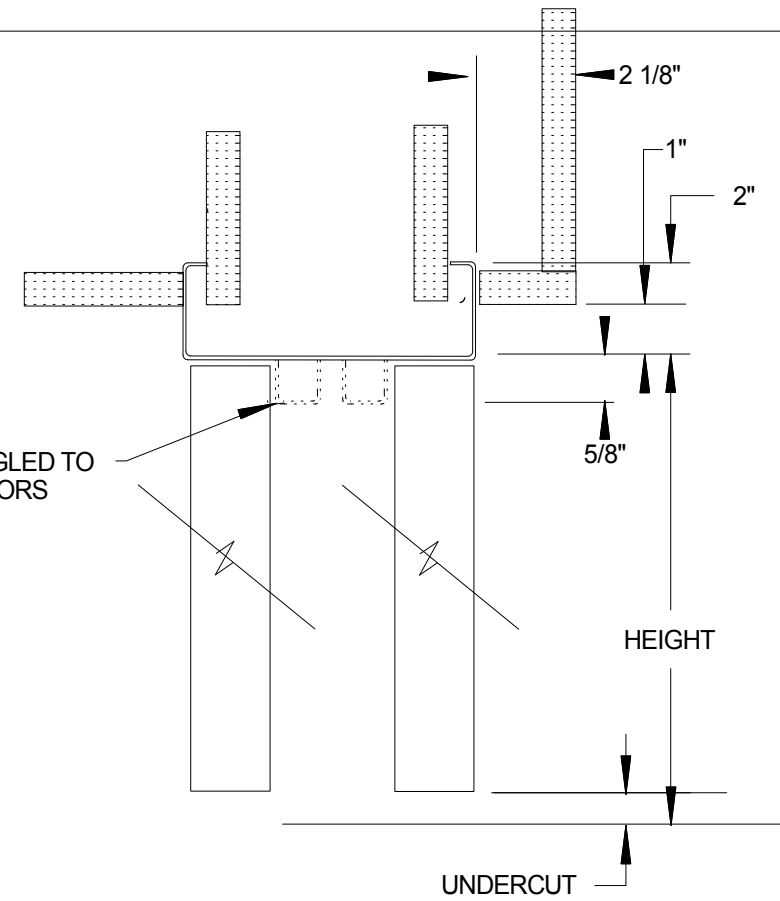


CONTACT INTEGRATED DOOR SYSTEMS
FOR SPECIFIC DIMENSIONS



STOPS ANGLED TO
MATCH DOORS



90PR1.CAD

INTEGRATED DOOR SYSTEMS

JOB:	
DRAWN BY: DC	REV:
SCALE: NONE	ORDER #:
DATE:	SHEET OF